

MAXTONE®

MXC-2024CN
C·H·I·N·A

&

MX-2024TW
T·A·I·W·A·N



CHINA **MAXTONE**[®] TAIWAN

MXC-2024CN · MX-2024TW

We are supplying percussion instruments,
stringed instruments, woodwind/brass instruments, stands and
related accessories to customers worldwide.

We will continue doing our best efforts to supply quality
products, competitive prices with our good service to meet
customers' satisfaction.

MAXTONE[®]



Maxtone[®]

Marisol

Fighter[™]

SPARKLE[®]

SAMKO



◆ PRODUCT CATALOG ◆

C · O · N · T · E · N · T · S

CHINA

P.01 DRUMS

P.03 DRUM HARDWARE & ACCESSORIES

P.05 PERCUSSIONS

P.08 MEGAPHONE

P.09 STRING ACCESSORIES

P.10 WOODWINDS & BRASS

P.13 STANDS & ACCESSORIES

TAIWAN

P.01 DRUM HARDWARE

P.02 PERCUSSIONS

P.02 STANDS

P.03 STRING ACCESSORIES

P.04 WOODWINDS & BRASS & ACCESSORIES



PLEASE REVIEW
OUR LATEST NEW PRODUCTS
ON OUR WEBSITE.

MAXTONE®
C·H·I·N·A

DRUMS & DRUM HARDWARE & ACCESSORIES

5PCS DRUM SET

◆ MXC-5004

5PCS DRUM SET

Assembled with Steel Lugs

Bass Drum	22" x 16" x 16-Lug
Floor Tom Tom	16" x 16" x 12-Lug
Tom Tom	13" x 11" x 12-Lug
Tom Tom	12" x 10" x 12-Lug
Snare Drum	14" x 5.5" x 8-Lug
Hi-Hat Stand	1pc (Ø22-19mm)
Cymbal Stand	1pc (Ø22-19-16mm)
Snare Stand	1pc (Ø22-19mm)
Bass Drum Pedal	1pc
Drum Throne	1pc
Steel Cymbals	14"x2pcs & 16"x1pc
Drum Stick	1pr

◆ MXC-5004F

5PCS DRUM SET

20" Bass Drum Kit

Assembled with Steel Lugs

Bass Drum	20" x 16" x 16-Lug
Floor Tom Tom	14" x 14" x 12-Lug
Tom Tom	12" x 8" x 12-Lug
Tom Tom	10" x 7" x 12-Lug
Snare Drum	14" x 5.5" x 8-Lug
Hi-Hat Stand	1pc (Ø22-19mm)
Cymbal Stand	1pc (Ø22-19-16mm)
Snare Stand	1pc (Ø22-19mm)
Bass Drum Pedal	1pc
Drum Throne	1pc
Steel Cymbals	14"x 2pcs & 16"x1pc
Drum Stick	1pr



Drum Shell Material: Poplar Plywood



Drum Shell Material: Poplar Plywood

◆ **MXC-5005****5PCS DRUM SET**

Assembled with Steel Lugs

Bass Drum	22" x 16" x 16-Lug
Floor Tom Tom	16" x 16" x 16-Lug
Snare Drum	14" x 5.5" x 8-Lug
Tom Tom	13" x 11" x 12-Lug
Tom Tom	12" x 10" x 12-Lug
Cymbal Stand	1pc (Ø25-22mm)
Hi-Hat Stand	1pc (Ø25-22mm)
Snare Stand	1pc (Ø25-22mm)
Drum Throne	1pc
Bass Drum Pedal	1pc
Drum Stick	1pr
Steel Cymbals	14"x 1pr & 16"x1pc



Drum Shell Material: Poplar Plywood

◆ **MXC-3022****5PCS DRUM SET**

Assembled with Steel Lugs

Bass Drum	22" x 14" x 6-Lug
Floor Tom Tom	16" x 14" x 6-Lug
Snare Drum	14" x 5.5" x 6-Lug
Tom Tom	13" x 11" x 6-Lug
Tom Tom	12" x 10" x 6-Lug
Cymbal Stand	1pc (Ø19-16mm)
Hi-Hat Stand	1pc (Ø19-16mm)
Snare Stand	1pc (Ø19-16mm)
Drum Throne	1pc
Bass Drum Pedal	1pc
Drum Stick	1pr
Steel Cymbals	14"x 2pcs & 16"x1pc



Drum Shell Material: Poplar Plywood

◆ **MXC-3023****5PCS DRUM SET**

Assembled with Steel Lugs

Alum. Bass Drum Bracket & Tom Tom Brackets

Bass Drum	22" x 16" x 16-Lug
Floor Tom Tom	16" x 16" x 12-Lug
Snare Drum	14" x 5" x 8-Lug
Tom Tom	12" x 9" x 10-Lug
Tom Tom	10" x 8" x 10-Lug
Cymbal Stand	1pc (Ø22-19mm)
Hi-Hat Stand	1pc (Ø22-19mm)
Snare Stand	1pc (Ø22-19mm)
Drum Throne	1pc
Bass Drum Pedal	1pc
Drum Stick	1pr
Steel Cymbals	14"x 2pcs & 16"x1pc

5PCS JUNIOR DRUM SET

◆ MXC-501

5PCS JUNIOR DRUM SET

Assembled with Steel Lugs

Bass Drum	14" x 10" x 6-Lug
Floor Tom Tom	12" x 8" x 6-Lug
Snare Drum	8" x 4" x 4-Lug
Tom Tom	10" x 6" x 4-Lug
Tom Tom	8" x 6" x 4-Lug
Hi-Hat Stand	1pc
Snare Stand	1pc
Drum Throne	1pc
Bass Drum Pedal	1pc
Drum Sticks	2prs (ea 5A & jr stick)
Steel Cymbals	8"x1pr & 10"x1pc



CLASSIC DRUM HARDWARE



◆ **DPC-3100**
Drum Pedal

◆ **SSC-3100**
Snare Stand

◆ **HSC-3100**
Hi-Hat Stand

◆ **CSC-3100**
Cymbal Stand

◆ **CBSC-3100**
Multiple Cymbal Stand
(Boom/Straight)

PNEUMATIC DRUM THRONE

◆ TFC-3100

Pneumatic Drum Throne

Round Seat:
33.5cm(13") Diameter, 8.2cm(3.2") Thick
Pneumatic Height Adjustment:
44cm(17")-59cm(23")
Max Weight Capacity: 150kgs/330lbs
3-Double Braced Legs
Seat Material: Imitation Leather



◆ TFC-6010

Pneumatic Drum Throne

Saddle Seat
Pneumatic Height Adjustment:
49cm(19.3")-63.5cm(25")
Max Weight Capacity: 200kgs/440lbs
3-Double Braced Legs
Seat Material: Imitation Leather & Flannel



PRACTICE PAD

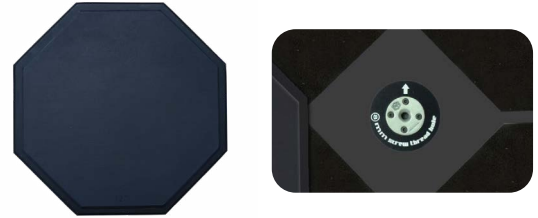
◆ TDC-116

12" Mountable Practice Pad, Round
w/Soft, Gray Gum Rubber Playing Surface
Foam Backing For Use On Flat Surface
8mm Thread For Stand Mounting



◆ TDC-117

12" Mountable Practice Pad, Octangle
w/Soft, Gray Gum Rubber Playing Surface
Foam Backing For Use On Flat Surface
8mm Thread For Stand Mounting



PROFESSIONAL MARCHING SNARE DRUM

◆ MBC-1310

13" x 10" x 8-Lug

◆ MBC-1412

14" x 12" x 12-Lug

w/Snare Attachmet, Free-Floating
Drum Shell Material:7-Ply Birch
Drum Hoop: Aluminum Alloy



DRUM CARRIER

◆ DCC-10S

Snare Drum Carrier
w/Snare Attachment
Removable Shoulder Pads Allow Cleaning
The Floating Snare Drum Can Be Stability
By Snare Attachment



◆ DCC-13B

Bass Drum Carrier
Available Colors: White, Black



DRUM STICK HOLDER

◆ TFLC-026

Portable Drum Stick Holder
Design to fit on the bass drum hoop
Two grip plate available:
Fits 5A & 7A, Fits 5B & 2B



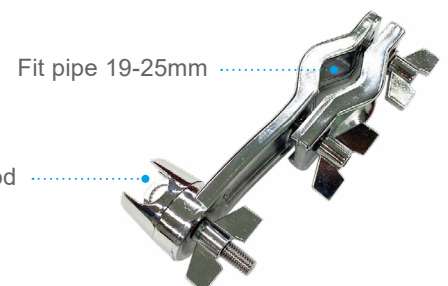
MULTI-CLAMP

◆ CHC-04

Multi-Clamp, Chrome

Fit pipe 19-25mm

Gear tilter
Fit 3/8" knurled rod



MAXTONE®

C · H · I · N · A

PERCUSSIONS

JUNIOR CAJON

◆ WBC-26

Junior Cajon

Internal Snare Wire

23 x 24 x 36cm

Available Color:

Red, Orange, Yellow,
Green, Blue,
Indigo, Purple



Suitable For Children

KIDS FLOOR TOM DRUM



Kids Floor Tom Drum
w/1pr Mallet

◆ FTC-20

Dia.:20cm, Height:18cm

◆ FTC-25

Dia.:25.5cm, Height:18cm

◆ FTC-30

Dia.:30cm, Height:26cm

◆ FTC-35

Dia.:35.5cm, Height:26cm



Kids Floor Tom Drum
w/Stand & 1pr Mallet

◆ FTC-20S

Dia.:20cm, Height:18cm

◆ FTC-30S

Dia.:30cm, Height:26cm

◆ FTC-25S

Dia.:25.5cm, Height:18cm

◆ FTC-35S

Dia.:35.5cm, Height:26cm

WOODEN TONGUE DRUM

Beech Wood
Tongue Drum
w/1pc Mallet

◆ WTC-15

Dia.:15cm
Height:10cm

◆ WTC-18

Dia.:18cm
Height:10cm

◆ WTC-20

Dia.:20cm
Height:10cm



SAMBA SURDO

◆ SBWC-SET

Junior Surdos Set of 5 Nesting Samba Drums

10" x H30cm (Purple)	◆	1pc
12" x H32cm (Blue)	◆	1pc
14" x H36cm (Green)	◆	1pc
16" x H38cm (Yellow)	◆	1pc
18" x H40cm (Red)	◆	1pc
Mallet		1pr
Spanner		1pc



- a. Color lacquered wooden shell
- b. Rubber feet are provided to protect the drums when being played on the ground
- c. Can be stacked away inside one another to save space and ease transportation

XYLOPHONE

◆ BLC-8RB

8-Notes Colored Wooden Xylophone (C-C)

w/1pr Mallet



◆ BLC-12RB

12-Notes Colored Wooden Xylophone (A-E)

w/1pr Mallet



◆ BLC-15RB

15-Notes Colored Wooden Xylophone (C-C)

w/1pr Mallet



◆ XYC-501

Xylophone 37K

w/Stand & Bag

Range: 3.0 Octave C3-C8

Bars: Rosewood

Pitch: A=440Hz

Bar Size: Width:3.8cm / Thickness:1.8cm



◆ XYC-13S

Soprano Xylophone

C2-A3 w/F# & Bb
(total 16 bars)



◆ XYC-13A

Alto Xylophone

C1-A2 w/F# & Bb
(total 16 bars)



(600D Covering, 6mm sponge)

BONGO

◆ **BC-2R**

7"+8" Two-Tone Bongo

Basswood Shell
True Skin Buffalo Heads
Tuning Lugs, w/Drum Key



◆ **BC-19**

6.5"+7.5" Latin Bongo

w/Black Rims
Basswood Shell
Cow Skin Head



MINI CONGA

◆ **BC-311**

8" Mini Conga

Height: 11"
Rubber Wood Shell, Natural Color
Black Coating Parts
Sheepskin Head
w/Shoulder Strap & Spanner



CONGA

◆ **WDC-33SB / WDC-33N**

10"+11" Wooden Conga w/Stand

Color: Vintage Sunburst / Natural

◆ **WDC-34N / WDC-34SB**

10"+11" Wooden Conga w/Stand

Color: Natural / Vintage Sunburst



STEEL TONGUE DRUM

Alloy Steel In Brass Coating Tongue Drum
w/1pr Mallet & 600D Carry Bag



◆ **HPC-1008**
10" 8-Tone



◆ **HPC-1011**
10" 11-Tone



◆ **HPC-1208**
12" 8-Tone



◆ **HPC-1211**
12" 11-Tone



Available Colors : Silver, Black, Golden & Antique Brass

JINGLE STICK & SLEIGH BELL

◆ **TC-1B**
One-Bell Jingle Stick, Birch Handle
Length: 122mm

◆ **TC-10Y**
Sleigh Bell (10B)

◆ **TC-21B**
Sleigh Bell (21B)

◆ **TC-25E**
Sleigh Bell (25B)



KAZOO

◆ **KZC-05**
ABS Kazoo
Available Colors:
Black, Red, Blue & Yellow



MEGAPHONE

◆ **GTC-109**
Megaphone, ABS Material
Output Power: 20W
Mode: Talk, Record, Play, Siren, Music, U Disk & TF Card
Sound Coverage: 500m
High Definition Recorder 240 Seconds
Battery Charge: 1500mAh Lithium Battery 3.7V Or USB Cable
Horn Dia.: 124mm



◆ **KZC-06E**
ABS Electric Kazoo, Black

Battery Charger w/Europlugs, have two pins measuring 19 mm long and 4 mm in diameter. Suitable For Countries: Europe, South America & Asia.

Non-polarized Type A Plugs, Another option for Battery Charger. Suitable For Countries: USA, Canada, Mexico & Japan.

GUITAR CAPO

◆ TGC-233

4 in 1 Multifunctional Guitar Capo
For Western Guitar, Black



GUITAR ACCESSORIES

◆ GWC-1

2.4GHZ Digital
Wireless System



◆ CTC-49

Sound Hole Tuner

Clipping On Sound Hole
Tuning Mode: Chromatic, Guitar,
Bass, Ukulele
Tuning Range: B0-B7
Tuning Accuracy: +/-5 cents



FINGER EXERCISER

◆ HEC-4

Four Finger Exerciser, ABS Material

Adjustable Tension: from 3 to 7 pounds
Support exerciser with thumb and finger tips
Press down with 1,2,3 or 4 fingers
Dimensions: 80 x 65 x 20mm
Net Weight: 45g
Colors: Black, Orange, Pink, Green



◆ HEC-5

Five Finger Exerciser, ABS Material

Adjustable Tension: from 3 to 8.5 pounds
Lock one or two piston in down position
Support exerciser with thumb and finger tips
Press down with 1,2,3 or 4 fingers
Dimensions: 105 x 66 x 23mm
Net Weight: 110g
Colors: Orange & Gray



PICKUP

◆ PUC-4

Pickup for Classic &
Acoustic Guitars



STRING CLEANER

◆ SG-3

String Cleaning System

Colors: Orange, Black & White





WOODWINDS & BRASS



FLUTE

◆ TFC-49SC

C Key Flute
C Foot

Finish: Silver Plated
Headjoint: Nickel-silver
Body / Footjoint: Nickel-silver
Nickel Silver Keys
French Pointed Key Arms
Plateau Style (Covered Keys)
Key System: Offset G
w/Soft Case

TENOR SAXOPHONE

◆ SXC-51T/L

Tenor Saxophone

*Key: B-flat
*Range: Low Bb to High F Sharp
*Finish: Clear Lacquer
*Key touches: White Pearls
*Detachable Bell
*Hand Engraved Bell
*Bell dia.: 153mm
*w/ABS case
*Neck Strap, Mouthpiece, Ligature & Cap



ALTO SAXOPHONE

◆ SXC-62A/L

Alto Saxophone

Key: E-flat
Range: Low Bb to High F Sharp
Finish: Clear Lacquer
Key touches: White Pearls
Detachable Bell
Hand Engraved Bell
Bell dia.: 120mm
*w/Soft Case
*Neck Strap, Mouthpiece,
Ligature & Cap



◆ SXC-51A/L

Alto Saxophone

Key: E-flat
Range: Low Bb to High F Sharp
Finish: Clear Lacquer
Key touches: White Pearls
Detachable Bell
Hand Engraved Bell
Bell dia.: 118mm
*w/ABS case
*Neck Strap, Mouthpiece,
Ligature & Cap



Marching Brass



MARCHING BRASS

◆ TMMC-53/L

Marching Mellophone

Key: F
Finish: Gold Lacquer
Bore Dia.: 12mm
Bell Dia.: 269mm
Height: 434.5 mm
Valves: 3 Stainless Steel Pistons
w/Soft Case



◆ TMHC-30/NSL

Marching Frenchhorn

Key: Bb
Finish: Clear Lacquer
Nickel Silver Leadpipe & Tuning pipe
Bore Size: 11.89mm
Bell Dia.: 305mm
Height: 480 mm
Valves: 3 Stainless Steel Pistons
w/Soft Case



◆ TMBC-60/L

Marching Baritone

Key: Bb
Finish: Gold Lacquer
Bore Size: 12.4mm
Bell Dia.: 255mm
Height: 510mm
Valves: 3 Stainless Steel Pistons
w/Soft Case

◆ TMEC-53/NSL

Marching Euphonium

Key: Bb
 Finish: Clear Lacquer
 Nickel Silver Tuning Pipe
 Bore Size: 14.4mm
 Bell Dia.: 299.5mm
 Height: 660 mm
 Valves: 3 Stainless Steel Pistons
 w/Soft Case



◆ TMTC-53/NSL

Marching Tuba

Key: Bb
 Finish: Clear Lacquer
 Nickel Silver Tuning Pipe
 Bore Size: 16.1mm
 Bell Dia.: 401.5mm
 Height: 890mm
 Valves: 3 Stainless Steel Pistons
 w/Soft Case



◆ TSPC-30/NSL

Sousaphone

Key: Bb
 Finish: Clear Lacquer
 Nickel Silver Tuning Pipe
 Bore Size: 16mm
 Bell Dia.: 660mm
 Weight: 11.8kgs
 Valves: 3 Stainless Steel Pistons
 w/Wooden Case

GUITAR STAND

◆ GSC-101B

Steel Guitar Stand
OD:19-25mm



◆ GSC-114B

Steel Guitar Stand
OD: 19-25mm



GUITAR HANGER

◆ GHC-627

Arm Length: 26cm (10.2")



◆ GHC-326

Arm Length: 12cm (4.7")



MUSIC STAND

◆ TMSC-57

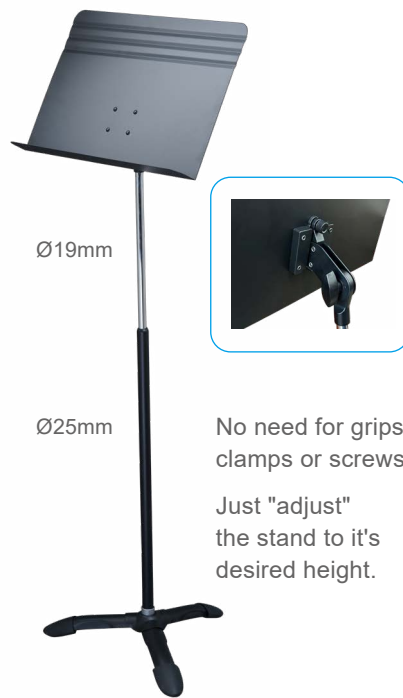
Steel Music Stand



◆ TMSC-301

Orchestra Music Stand

Height Adjustable:
99cm(39")~155cm(61")



MICROPHONE STAND

◆ AMSC-608B

3 IN 1 Combo Microphone Stand

Height Adjustable: 740mm(29.1")~1230mm(48.4")
Boom Arm: 800mm (31.5")



STOOL

◆ AKTC-69

Multipurpose High Stool

w/Back Rest

Height Adjustable:

550mm(21.7")~790mm(31.1")

Foam Padded Seat Dia.: 300mm

Back Cushion: 310mm x 180mm

Max Weight Capacity: 200kgs/440lbs



PIANO BENCH

◆ PBC-40

Adjustable Piano Bench, Concave Cushion

Seat: 56cm x 33cm

Height Adjustment: 48(19")-58cm (22.8")



SPEAKER STAND

◆ SSC-59B

Speaker Stand, Black

Steel Tripod: 35x680 mm

Steel Outer Pipe: 38x890 mm

Steel Inner Pipe: 35x950 mm

Adjustable Height: 120-180cm

Loading Capacity: 60kgs



CELLPHONE HOLDER

◆ PHC-3

Cellphone Holder

For the pipe O.D.: Ø13mm-25mm



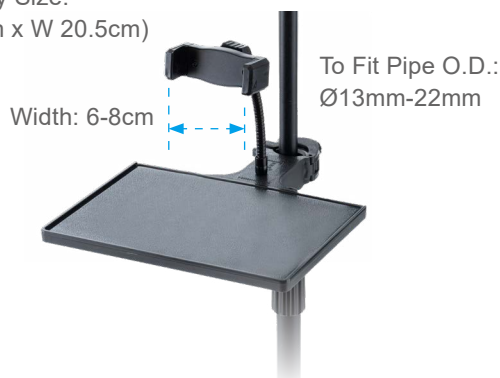
ACCESSORY TRAY

◆ ATC-1

Accessory Tray w/Cellphone Holder

Rectangle Tray Size:

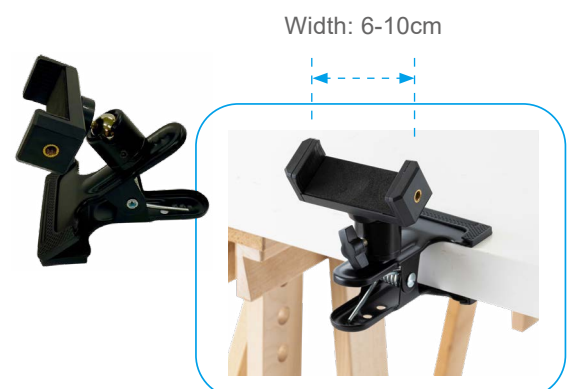
ABS(H 14.5cm x W 20.5cm)



◆ PHC-4

Desk Ball Head Phone Holder

(mount with 1/4" connecting screw threads)





MAXTONE®

T · A · I · W · A · N

MAXTONE

MAXTONE®

T·A·I·W·A·N

DRUM HARDWARE

DRUM HARDWARE PACK

◆ 196PACK

2-Piece Hardware Pack

- 1x TFL-196N Round Seat Drum Throne
- 1x DP-583X Bass Drum Pedal



◆ 583PACK

3-Piece Hardware Pack

- 1x DP-583X Bass Drum Pedal
- 1x SS-583 Snare Stand
- 1x HS-583 Hi-Hat Stand



BASS DRUM PRACTICE PAD

◆ BD-205

Bass Drum Practice Pad

- Round Pad Size: Rubber (12cm dia.)
- Height Adjustable (approx. 24 - 34cm)



◆ BD-206

Bass Drum Practice Pad

- Rectangle Pad Size: Rubber (H5.2cm x W10.5cm x Thickness 2cm)
- Height Adjustable (approx. 27 - 37cm)



DRUM PEDAL

◆ DP-921FB

- Twin Effect Pedal
- w/Two Beaters



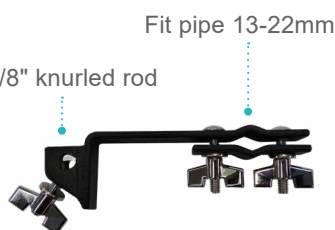
BASS DRUM PRACTICE PAD



MULTI-CLAMP

◆ CH-05

- Multi-Clamp, Black
- Fit 3/8" knurled rod



◆ BD-207

Bass Drum Practice Pad

- w/1pc Angle Beater

- Rectangle Pad Size: Rubber (H 117mm x W 67mm x Thickness 12mm)



MAXTONE®

T · A · I · W · A · N

PERCUSSIONS & STANDS & STRING ACCESSORIES

AGOGO

◆ MM-271

Mountable Agogo

4-1/4" high pitch bell



Fit up to 3/8" mounting rods

6" low pitch bell

MICROPHONE STAND

◆ AMS-531B

2 IN 1 Combo Microphone Stand

Height Adjustable:

90cm~160cm (35-3/8"~ 63")

Boom Arm: 77cm (30-1/4")

w/Microphone Holder



w/Tablet Holder
(fits 7" - 10" tablets)
Tablet Not Included

Ø16mm

Mic Cable Clip

Ø22mm

CAT'S CAPO

◆ GT-227

Cat's Capo For Electric & Western Guitars

Made of aluminum, durable and lightweight.

Cute design, looks like a cat is pressing down on the strings.

The spring has been devised to ensure all strings are held firmly.



Available Colors:

Black, White, Purple & Pink

MICROPHONE BOOM ARM

◆ AMS-1

Mini Microphone Boom Arm

5/8" - 27 male threads for mounting mic clips

5/8" - 27 female threads for mounting on stands

Boom Length: 195mm



(Mic Clip and Mic Stand Not Included)

◆ AMS-2

Side Mount Mini Microphone Boom,
Clamp Type

5/8" - 27 male threads for mounting mic clips

Boom Length: 195mm



Fit pipe
Ø12.7-25.4mm

EGG SHAKER

◆ OSC-53

Egg Shaker

12pcs in a Paper Egg Box

◆ OSC-57

Egg Shaker, Gold Color

15pcs in a Paper Egg Box

◆ OSC-60A

Egg Shaker, Assorted Color

10pcs in a Paper Egg Box

◆ OSC-61A

Egg Shaker, Assorted Color

15pcs in a Paper Egg Box

◆ OSC-60B

Egg Shaker, Black Color

10pcs in a Paper Egg Box

◆ OSC-61B

Egg Shaker, Black Color

15pcs in a Paper Egg Box

OSC-53



OSC-57



OSC-60A



OSC-61A



OSC-60B



OSC-61B



GUITAR MACHING HEAD

FOR ACOUSTIC GUITARS

◆ GM-326AB

Antique Brass-Plated, PC Buttons

For Steel Strings, Gear Ratio 1:16,
3+3 Version (set of 6pcs)



◆ GM-426N

Nickel Plated, Plastic Buttons

For Steel Strings, Gear Ratio 1:20,
3+3 Version (set of 6pcs)



◆ GM-133C

Nickel Plated, Zinc Buttons

For Steel Strings, Gear Ratio 1:21,
3+3 Version (set of 6pcs)



FOR CLASSIC GUITARS

◆ GM-306N

Gold Plated, Plastic Buttons,
For Nylon Strings

Gear Ratio 1:18, 3+3 Version (set of 2pcs)



◆ GM-105N

Gold Plated, Plastic Buttons,
For Nylon Strings

Gear Ratio 1:14, 3+3 Version (set of 2pcs)



The new post be used at GM-306N designed a new bearing structure which achieves greater concentricity and enhances durability.



WOODWINDS & BRASS & ACCESSORIES

TRUMPET

◆ TT-369

B flat Trumpet, Yellow Brass

- Clear Lacquer Finish
- Bore Dia.: 11.65mm
- Bell Dia.: 121mm
- Piston Material: Monel
- Adjustable 3rd Slide Tuning Ring & Rod Stop
- Standard Main Tuning Slide with Two Braces
- 1st Tuning Slide Thumb Hook
- Standard Bottom Valve Caps
- Two Water Keys
- Without Mouthpiece
- w/ABS Case



Standard weight trumpet bell:
Rich, Compact sound of great Projection.



ALTO SAXOPHONE

◆ SX-68A/L

Alto Saxophone

- Key: E-flat
- Range: Low Bb to High F Sharp
- Finish: Clear Lacquer
- Key touches: Black Pearls
- Detachable Bell
- Hand Engraved Bell
- Bell dia.: 121mm
- w/ABS Case
- Neck Strap, Mouthpiece,
Ligature & Cap



SAXOPHONE BAG

◆ AS-124 / TS-124

Saxophone Shaped Bag with Backpack Strap

PU+EVA Soft Exterior Materials

(The bag is composed with six layers materials including PU, EVA, Mutispandex, PE, Cushion and Velvet)



NECK POUCH

◆ NP-1

Saxophone Neck Pouch



TRUMPET BAG

◆ TM-124

Trumpet Bag with Backpack Strap

PU+EVA Soft Exterior Materials

(The bag is composed with six layers materials including PU, EVA, Mutispandex, PE, Cushion and Velvet)



Note.

.....

.....

.....

.....

.....

.....

.....

.....

.....

.....

.....

.....

.....

.....

.....

.....

.....

.....



MAXTONE[®]



Official Website



MAXTONE.



Maxtone

SAMKO

Marisol

Fighter

SPARKLE

TA FENG LONG ENTERPRISE CO., LTD.
MAXTONE MUSICAL INSTRUMENT MFG. CO., LTD.
FIGHTER INDUSTRIES INC.

3F, NO.536, SEC. 2, TAIWAN BLVD., WEST DIST.,
TAICHUNG CITY 403, TAIWAN

TEL:+886-4-23130174 FAX:+886-4-23132493
maxtone@ms7.hinet.net www.maxtone.com.tw